



Product technical sheet (en)

Fireplace Stoves TYP: 206

LUMO 5 rotary



Technical parameters

206GLR

Power output

Controllable output range (kW)	2,5 - 7
--------------------------------	---------

Dimensions

Height (1) x Width (2) x Depth (3) (mm)	1010 x 529 x 416
Maximum log length (mm)	280

Weights depending on lining

Stone (kg)	155
------------	-----

Air

Central air supply (7) / Air inlet connector included	no / no
Secondary air control	yes
Primary air control	yes
Tertiary air supply	yes
Air supply automatic control	no

Parameters

Fuel: wood / wooden briquettes / brown coal briquettes [W / WB / BCB]	
Consumption of acceptable fuel at nominal capacity (kg/hour) [W / WB / BCB]	1,7 / 1,7 / 1,2
Heated volume (m ³)	50 - 140
Energy power efficiency (%) [W / WB / BCB]	80,8 / 80,8 / 81,3
Minimum chimney draft (Pa)	12
Flue gases temperature (°C) [W / WB / BCB]	216 / 216 / 219
Weight flow of flue gases (g/s) [W / WB / BCB]	5,8 / 5,8 / 6,5
CO concentration at 13% O ₂ (mg/Nm ³) [W / WB / BCB]	1250 / 1250 / 771
NOx concentration at 13% O ₂ (mg/Nm ³) [W / WB / BCB]	117 / 117 / 143
OGC concentration at 13% O ₂ (mg/Nm ³) [W / WB / BCB]	48 / 48 / 13
Dust concentration at 13% O ₂ (mg/Nm ³) [W / WB / BCB]	20 / 20 / 26
Multiple loading door closing	yes

Smoke duct

Smoke duct connection (4)	top
Smoke duct diameter (mm)	Ø 150
Distance of axis of upper chimney flue to the rearmost product part (6) (mm)	195

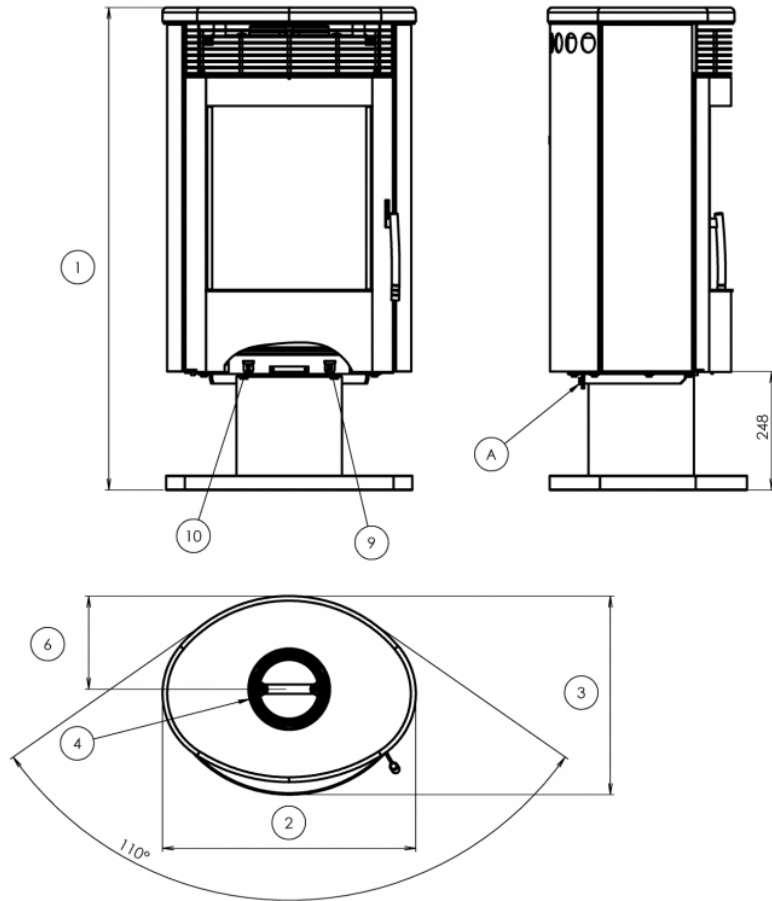
Tests

EN 13240:2001/A2:2004/AC:2007-8	yes
BvG §15a	yes
I. BImSchV Stufe 2	yes
EKODESIGN / Seasonal energy efficiency of heating (%) [W / WB / BCB]	yes / 71,8 / 71,8 / 72,3

Distance from flammable materials

From the side / From behind / From the front (mm)	200 / 200 /
---	-------------

Dimensional sketch

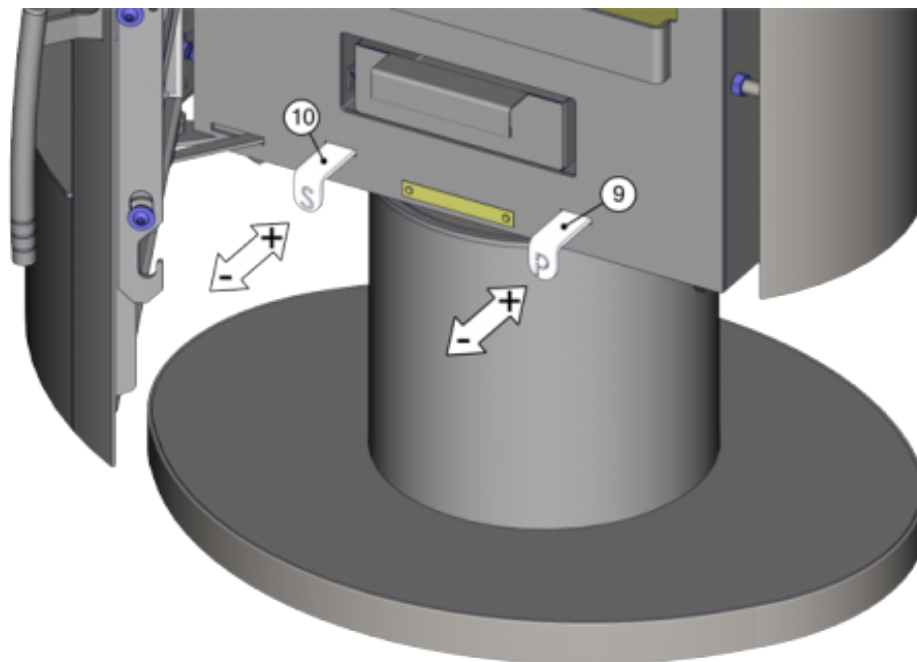


Additional information

1	height	1010 mm
2	width	529 mm
3	depth	416 mm
4	smoke duct	Ø 150 mm
6	distance of axis of upper chimney flue to the rearmost product part	195 mm
9	primary air supply control - retracted open	
10	secondary air supply control - retracted open	

(A) - Transport safety screw - After installation of the oven the screw shall be released.

Air control



Heating by wood and wooden briquettes

Only control the power with the secondary air regulator (position 10). The manufacturer recommends to close completely or partially the primary air intake (position 9) after burning the stove.

Heating with lignite briquettes

Note: Heating with lignite briquettes requires an increase in primary air supply. The degree of increasing must be verified according to the specific blast proportions of the stove and chimney.

Only adjust the power using the primary air regulator (position 9). The manufacturer recommends to close completely or partially the secondary air intake (position 10) after burning the stove.

Manufacturer: ABX, spol. s r.o., Žitná 1091/3, 408 01 Rumburk, Česká republika

tel.: 412 332 523, 412 333 614, fax: 412 333 521, e-mail: info@abx.cz, web: www.abx.cz

Status as of: 09.2. 2019